

# PIGEON SPIKE

## Budget Deterrent Spikes for Pigeons and Seagulls

The lowest cost bird spikes available. Designed for pigeons and seagulls, our new Pigeon Spikes can be installed quickly on all types of surfaces. Not recommended for other birds or heavy infestations of any bird. Three models are available; Pigeon Spike Composite and Pigeon Spike Plastic and Pigeon Spike Narrow.



Item#  
PSCOM

### Pigeon Spike Composite

An affordable combination of stainless steel wires with a flexible, UV stabilized polycarbonate base.

- Stainless wires in a UV stabilized polycarbonate base.
- For pigeons and seagulls only! Not for small birds or heavy bird infestations of any kind.
- 20 flat-tipped wire points per foot.
- 6" wide, 5" high, 13" long strips.
- Mounting accessories are sold separately.



Item#  
PSPLA

### Pigeon Spike Plastic

UV stabilized polycarbonate spike and base. Will not conduct electricity and installs quickly.

- All UV stabilized polycarbonate spike and base.
- For pigeons and seagulls only! Not for small birds or heavy bird infestations of any kind.
- 20 plastic points per foot.
- 6" wide, 5" high, 13" long strips.
- Mounting accessories are sold separately.



Item#  
PSP4

### Pigeon Spike Narrow

UV stabilized polycarbonate spike and base. Use on narrow surfaces or with #PSPLA on wider surfaces.

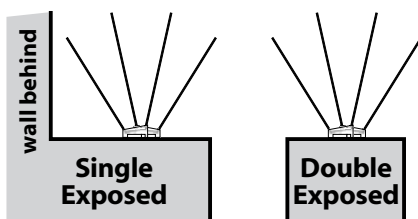
- All UV stabilized polycarbonate spike and base.
- For pigeons and seagulls only! Not for small birds or heavy bird infestations of any kind.
- 20 plastic points per foot.
- 2" wide, 4-1/4" high, 13" long.
- Mounting accessories are sold separately.

## Estimating Guidelines

Both **PSCOM** and **PSPLA** spikes are spaced the same on the surface. For narrow ledges use the **PSP4** narrow spike. If you are not sure which to use, contact Nixalite of America Inc for recommendations.

### Basic Estimating Steps:

1. Measure surface **depth** and **length**.
2. Is surface **Single** or **Double Exposed**?
3. Use tables to find the **Rows Required**.
4. **Rows Required X Length = Total**.



Single Exposed		
Surface Depth		Rows Required
Inches	Centimeters	
0 - 3	0 - 7.6	1/2*
3 - 7	7.6 - 17.8	1
7 - 14	17.8 - 35.6	2
14 - 21	35.6 - 53.3	3
21 - 28	53.3 - 71.1	4
28 - 35	71.1 - 88.9	5
35 - 42	88.9 - 106.7	6
For each additional 7" add 1 row		

Double Exposed		
Surface Depth		Rows Required
Inches	Centimeters	
0 - 6	0 - 15.2	1
6 - 13	15.2 - 33.0	2
13 - 20	33.0 - 50.8	3
20 - 27	50.8 - 68.6	4
27 - 34	68.6 - 86.4	5
34 - 41	86.4 - 104.1	6
41 - 48	104.1 - 121.9	7
For each additional 7" add 1 row		

\*1/2 = Pigeon Spike Narrow

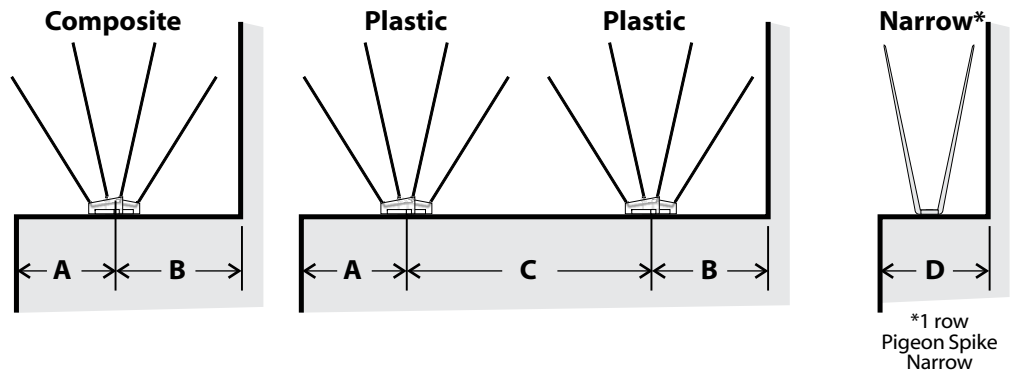
# Pigeon Spike Spacing

## Both Models

- A - 3" max. to edges
- B - 4" max. to walls
- C - 7" max. between

## Plastic (modified)

- D - 3" max. coverage



## Installing Pigeon Spikes

Pigeon Spikes are designed for **pigeons** and **seagulls** only. Do not use for other birds or heavy infestations of any type of bird. For **total surface control**, use **Nixalite's Premium Bird Barrier Models**.

### Prepare the surface

Clean the surface thoroughly. It must be clean, dry and free of any bird waste. Repair any damage there might be to the installation surface.

### Layout the spike positions

Using the Estimating and Spacing guidelines, mark where the center of each spike row will be placed.

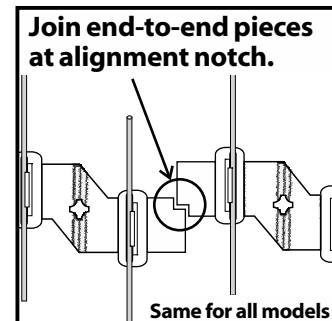
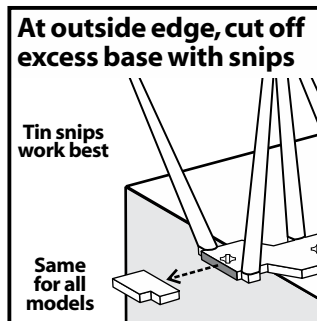
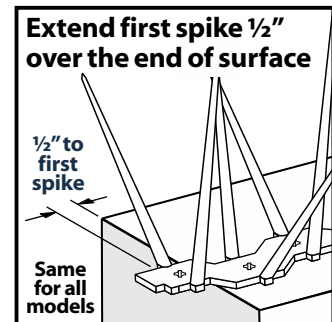
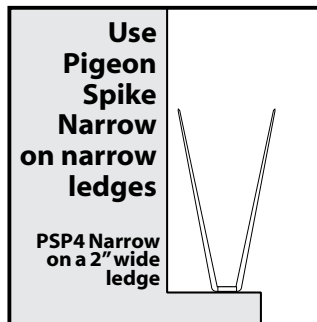
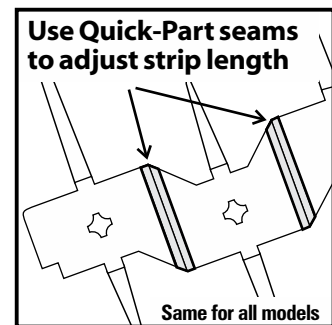
### Fit it first, then fasten it

Make sure each piece fits the surface before installing;

- Find the Quick-Part seam that is just longer than the desired length. Gently bend the base up and down at the Quick-Part seam until it parts.
- **Pigeon Spike Narrow:** If installing on a narrow ledge (3" deep or less), use the Pigeon Spike Narrow. This has a narrower base and less span to the spikes.
- Overhang the first spike at least 1/2" at the end of a surface. Adjust length if needed to ensure this overhang. **For best results** cut off the excess plastic base flush to the 1st spike overhanging the edge.
- When butting the strips end-to-end, use the alignment notch at each end of the base. Do not allow gaps between strips or between a strip and object.

### Fastening Pigeon Spikes

If fastening with adhesive, follow the manufacturer's instructions printed on the adhesive container. Make sure all strips are securely fastened.



**Nixalite® of America Inc**  
 1025 16th Avenue, East Moline, IL. 61244  
 Experts In Architectural Bird Control Since 1950

**Phone:** 800.624.1189 or 309.755.8771  
**Fax:** 800.624.1196 or 309.755.0077  
**Email:** birdcontrol@nixalite.com  
**Web:** www.nixalite.com